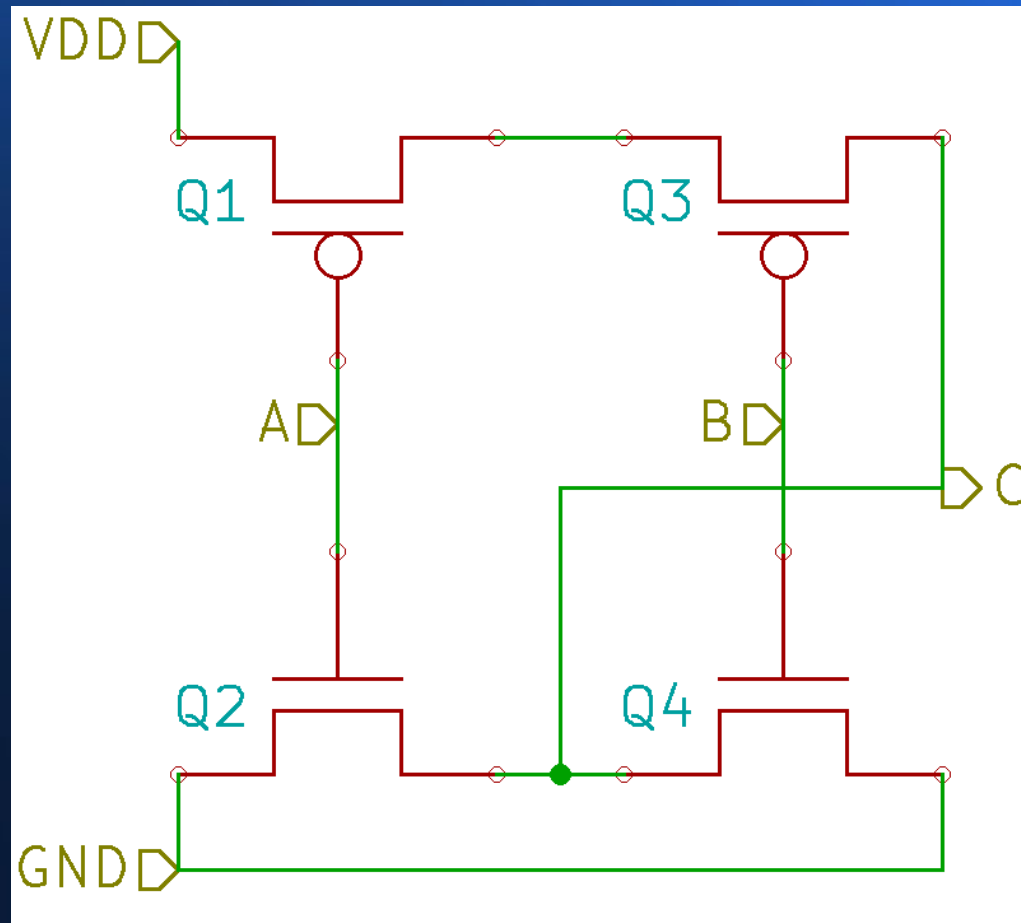


# QUIZ 1

- 15 minutes
- 2 problems
- Submit solutions to me by email
- No internet access allowed during quiz

# What logic function is this?



# Describe this package

- Large black part at center
- SMT or through hole?
- What type of package?
- Flip chip or wire bond?
- What's it made of?

